

9D-400 Dovetail Rotary Latch

Features

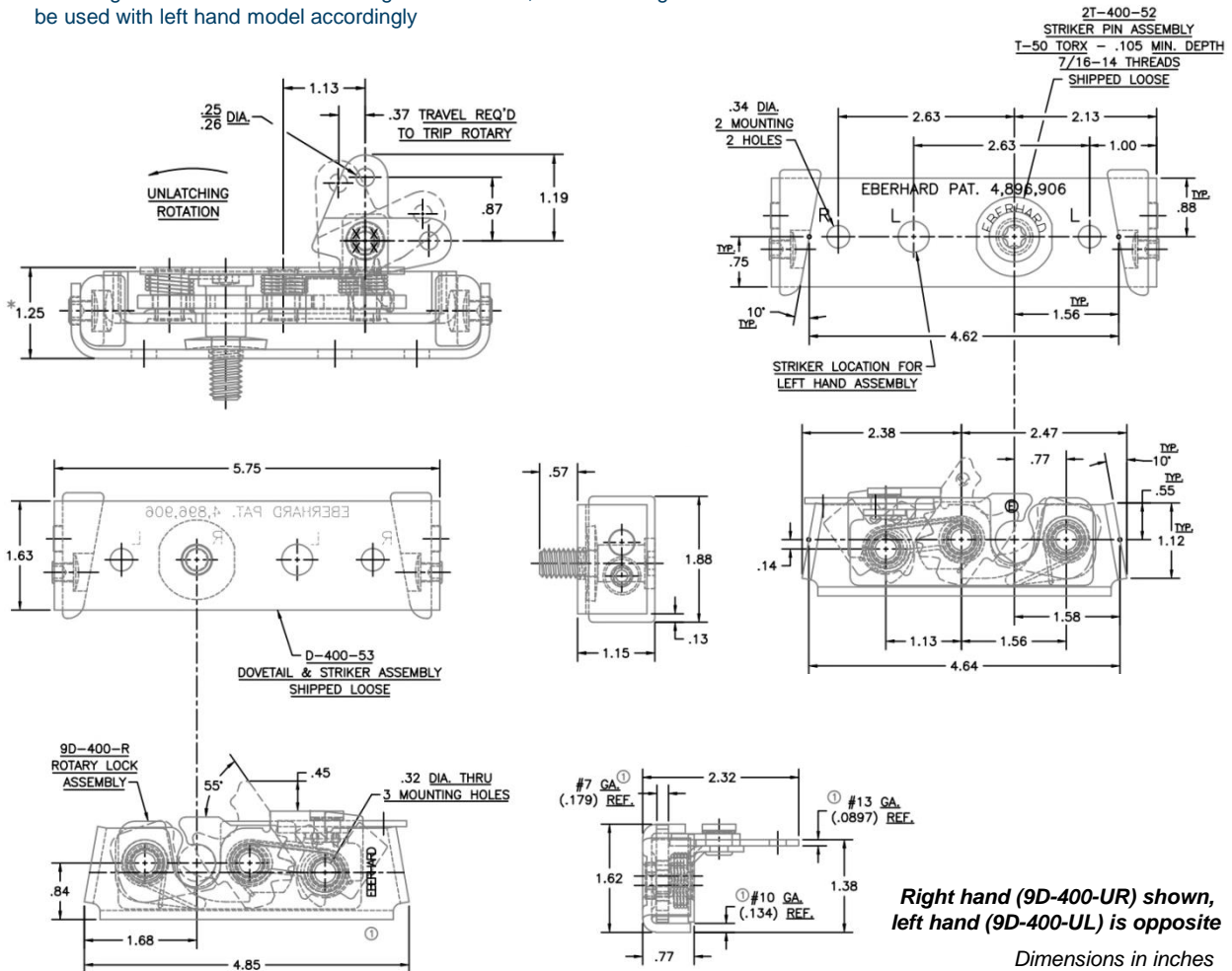
- Unique wedge design improves door alignment when slammed closed, this dovetail reduces door sag and assures better latch engagement
- Meets FMVSS 206 Standards for personnel restraint when used with striker assembly 2T-400-52
- Two-stage latching
- Standard model is fitted with 2 independent actuators for remote operation from 2 points
- Single actuator version also available
- Uses .55 diameter striker pin

Material

- Zinc-plated with black coated pawls for improved lubricity and corrosion resistance

Notes

- Recommended torque for tightening: 130 ± 10 in-lbs
- Use 3.12 diameter grade 8 bolt for installation to meet FMVSS206 safety standards
- Striker pin 2T-400-52 and dovetail striker bracket D-400-53 are sold separately
- Mounting holes "R" to be used with right hand model, and mounting holes "L" to be used with left hand model accordingly



Part No.	Type
9D-400-UR-25	Right Hand
9D-400-UL-25	Left Hand



We are Eberhard's exclusive distributor